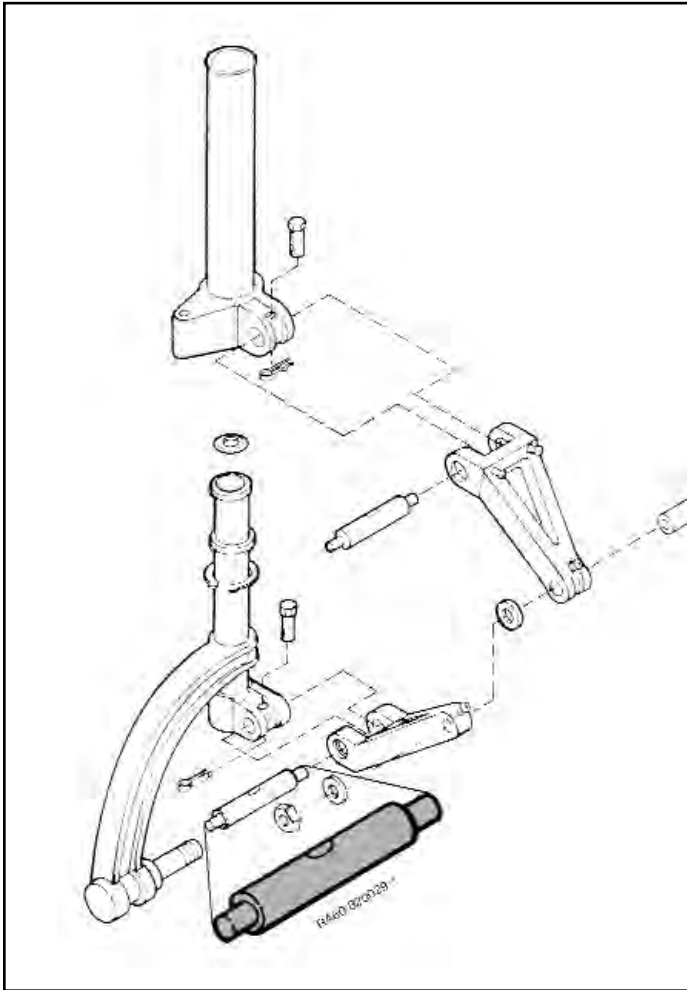


# TOW PIN

**RA60-820029-1**



## **FAA-PMA APPROVED INSTALLATION ELIGIBILITY**

**Debonair:** 35-A33, 35-B33, 35-C33,  
35-C33A, E33, F33

**Bonanza:** G33, E33A, F33A, F33C,  
N35, P35, S35, V35, V35A,  
V35B, 36, A36, A36TC,  
B36TC

**Baron:** 95-55, 95-A55, 95-B55,  
95-C55, D55, E55, 58,  
56TC, A56TC, 58TC, 58P

**Duke:** B60

## **RAPCO, inc.**

**REPLACEMENT AIRCRAFT PARTS CO.**

445 Cardinal Lane  
Hartland, Wisconsin 53029 U.S.A.  
For a list of distributors, Please call  
(262) 367-2292 Phone (262) 367-7158 Fax  
[www.rapcoinc.com](http://www.rapcoinc.com)



151-towpin 5/95